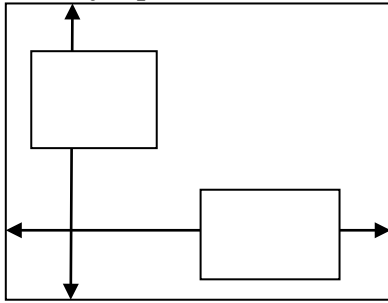


Glass Door Measuring Sheet*

*Overlap fit doors only

Step 1: Measure the fireplace width and height (brick to brick/marble to marble/granite to granite etc.)



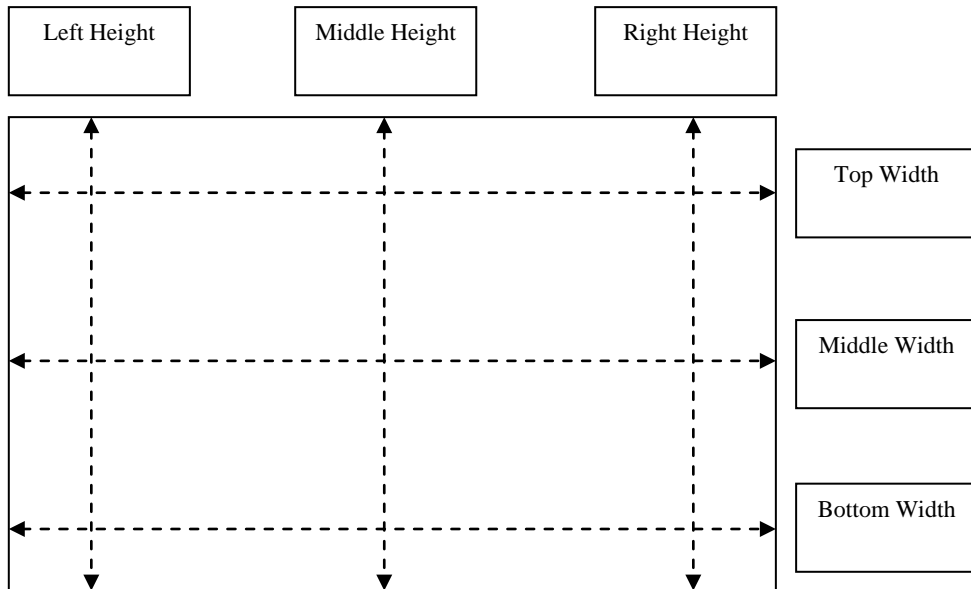
a) Is the floor of the fireplace flush with the hearth?

If you answered "NO" to the previous question:

b) Is the floor of the fireplace lower or higher than the hearth level?

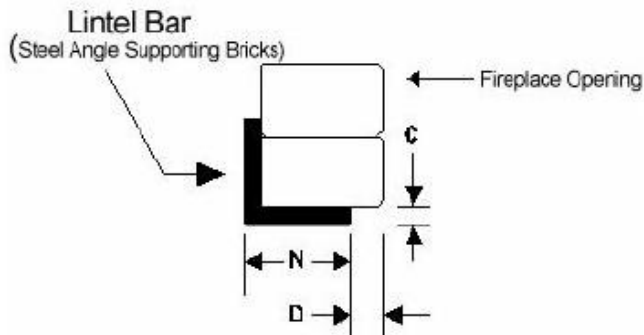
c) How much lower/higher?

Step 2: Measure the opening height and width of the fireplace (floor to lintel – the metal bar across the opening supporting the bottom row of bricks at the top of the fireplace opening)



Step 3: Take measurements of the lintel bar itself

Cross Section of Fireplace



Lintel Measurements

D - Face to lintel

C - Thickness of lintel

N - Width of lintel